



8 CHANNEL TEMPERATURE SCANNER

MS-1248

APPLICATIONS

Motor Protection

Generator
Monitoring & Protection

Electrical Sub-station monitoring

Metal and Mining applications

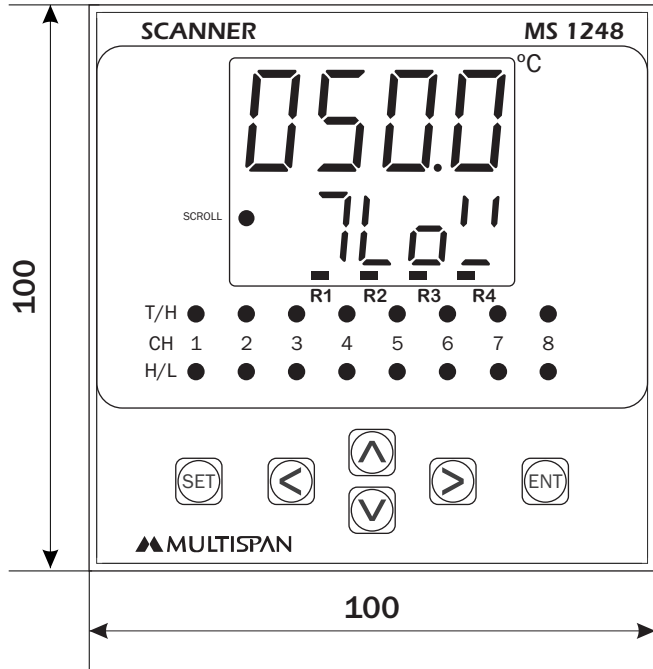
Machine Condition Monitoring

Gas Detection

Laboratory Equipment Monitoring

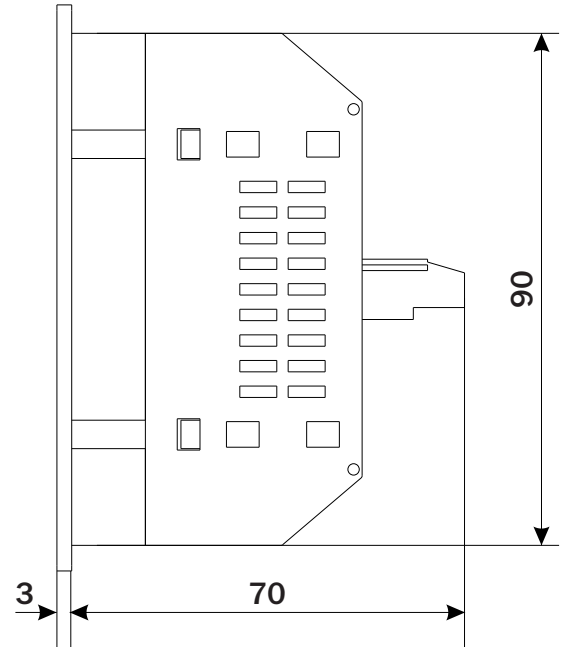
Mechanical Dimensions

Body Dimensions



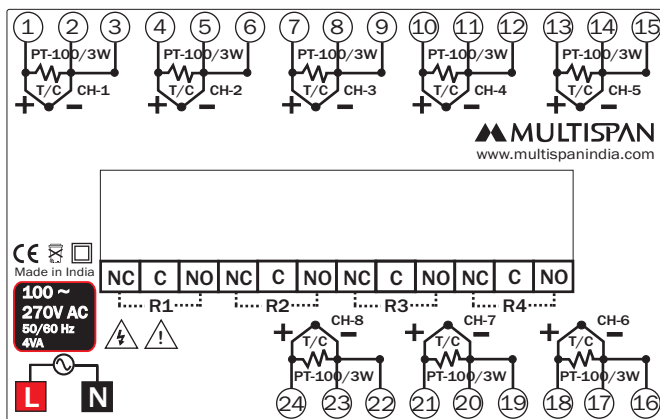
FRONT VIEW

All dimensions are in mm

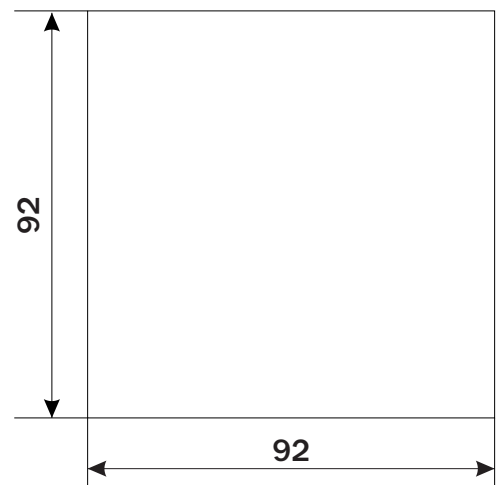


RIGHT SIDE VIEW


Connection Diagram



Panel Cutout



TECHNICAL DATA

Input	J/K/PT-100 2W/3W (Configurable)
Range	J: 0 to 600° C, K: 0 to 1200° C PT-100: -99° C to 400° C , PT.1: -99.0° C to 400.0° C
Output	4 Relay With Grouping Facility
Control Action	ON / OFF
Power Supply	100 to 270V AC,50/60Hz,Approx 4VA
Accuracy	± 1 % FSD
Certification	

Input

ADC Resolution	12 Bit
Display Resolution	Thermocouple : 1° C RTD : For PT-100 : 1° C / for PT.1: 0.1° C
Sampling Rate	250 mS / Channel

Output

Relay Output	
Relay	4
Type	1 C/O , NO , C , NC
Rating	5A @ 230V AC / 30V DC

Input Range

Input Type	Range
J	0 to 600° C
K	0 to 1200° C
PT-100	-99 to 400° C
PT.1	-99.0 to 400.0° C

Display

Process Value	Upper : 0.70" 4 Digit Red LED 7 Segment Display
Channel No. and Relay Status	Lower : 0.50" 4 Digit Green LED 7 Segment Display
LED Indications	Status of each relay and Alarm

Power Supply

Standard	100 - 270V AC @ 50/60Hz
Optional	24V DC
Consumption	4VA

Keys

6 controlling keys for configuration and operation

Accuracy

J , K , PT-100 , PT.1	± 1 % FSD for J,K, ± 0.5 % for PT-100, PT.1
CJC error	± 3 °C
Sensor Open	All
T/C Burnout current	1.10uA
RTD excitation current	0.2mA
CMRR	> 120 db (Typical)
Input Impedance	> 1 M
Max Voltage	20V DC

Environmental Characteristics

Working Temperature	0 to 55 °C
Storage Temperature	0 to 55 °C
Relative Humidity	95% RH Non-condensing
Ingress Protection	IP 65 (Front Side)

Mechanical Characteristics

Mounting Type	Panel Mount
Dimension (HxWxD) mm	100 x 100 x 70
Panel Cutout (HxW) mm	92 x 92
Material	Body Polycarbonate (PC) Enclosure ABS
Terminal Screw Size	M3.5
Screw Torque (N.m)	1
Wire Gauge (AWG)	26-14
Weight (Approx) gms	Unpacked : 320 Packed : 375
Accessories	1 Pair of Clamps